



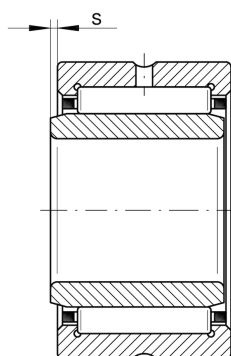
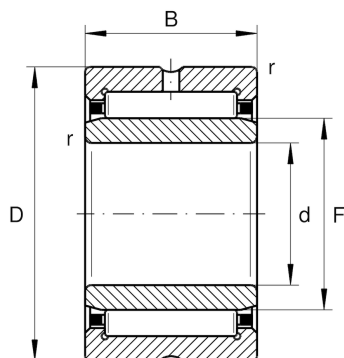
NKIS20

Needle roller bearing

Schaeffler ID:
0000078700000

Needle roller bearing NKIS, single row,
with inner ring, outer ring with 2 bords

Technical information



Main Dimensions & Performance Data

d	20 mm	Bore diameter
D	42 mm	Outside diameter
B	20 mm	Width
C_r	28,500 N	Basic dynamic load rating, radial
C_{0r}	36,500 N	Basic static load rating, radial
C_{ur}	5,200 N	Fatigue load limit, radial
n_G	15,100 1/min	Limiting speed
n_{gr}	7,700 1/min	Reference speed
	134.69 g	Weight

Dimensions

F	28 mm	Raceway diameter inner ring
r_{min}	0.6 mm	Minimum chamfer dimension
s	0.5 mm	Axial displacement

Temperature range

T_{min}	-30 °C	Operating temperature min.
T_{max}	120 °C	Operating temperature max.